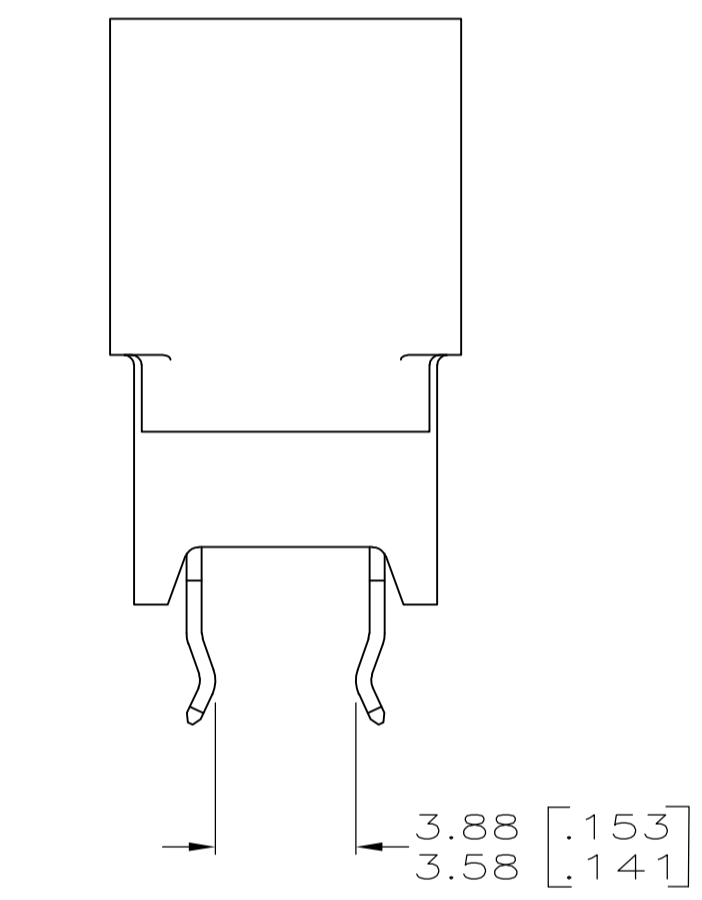
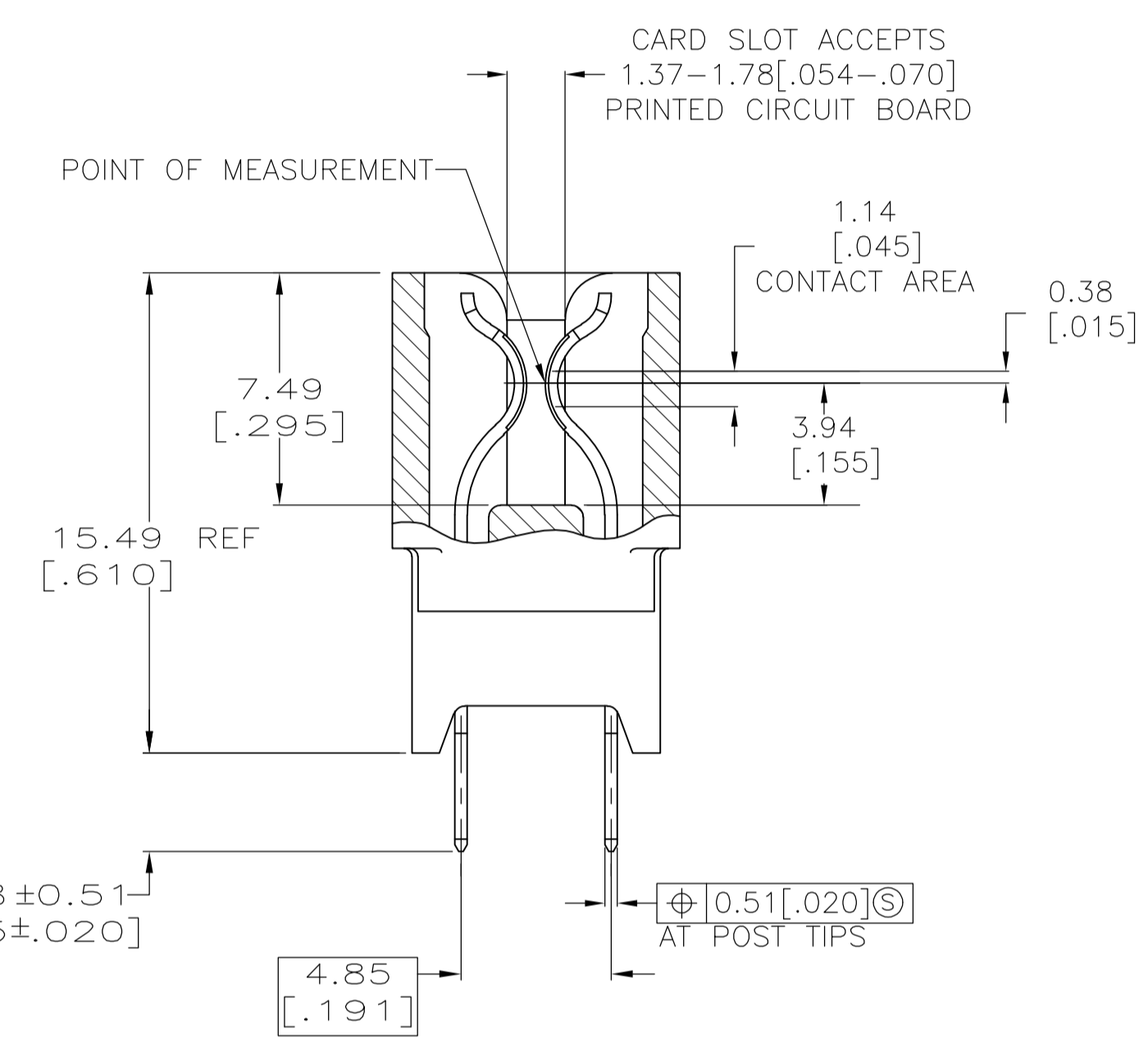
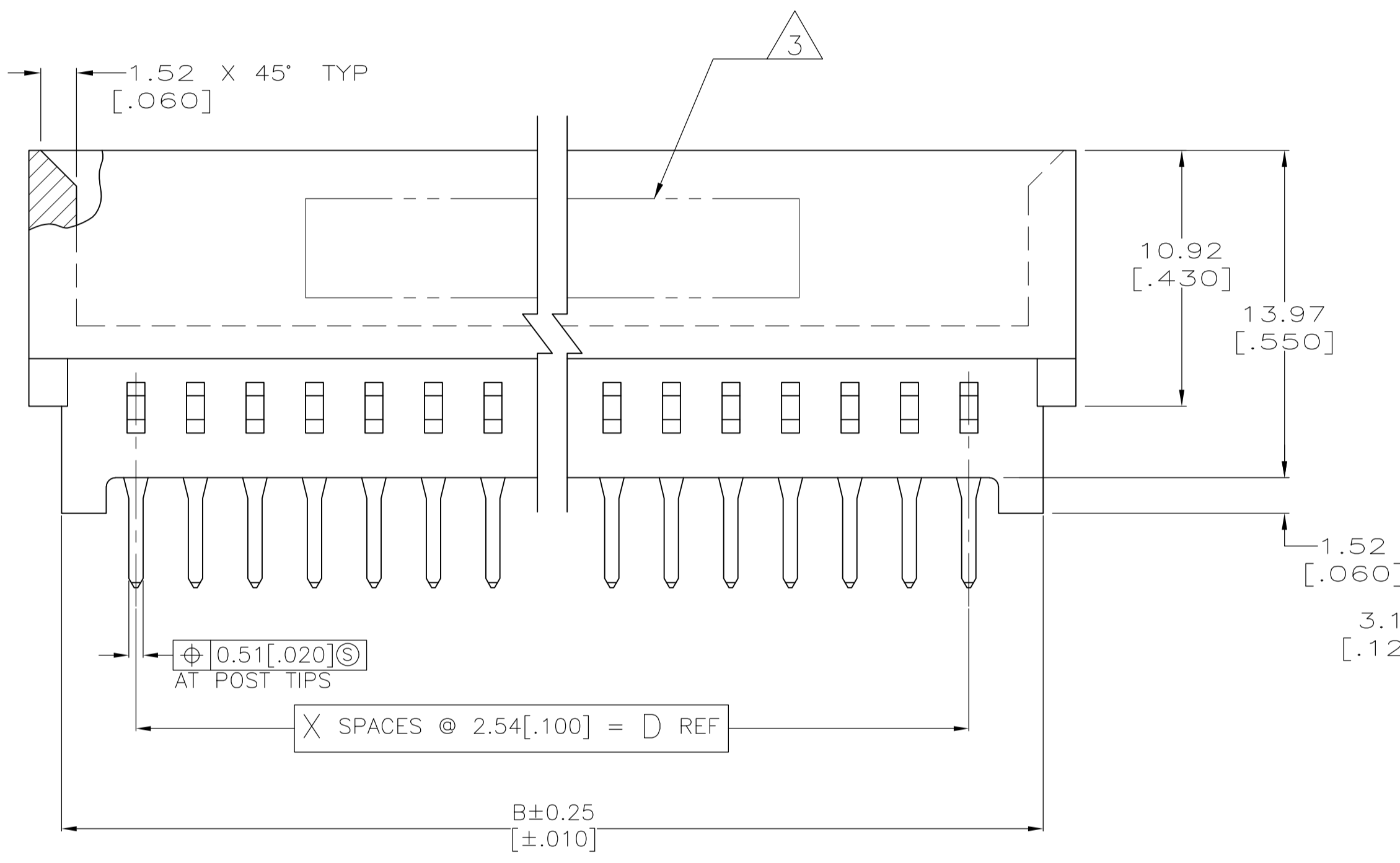
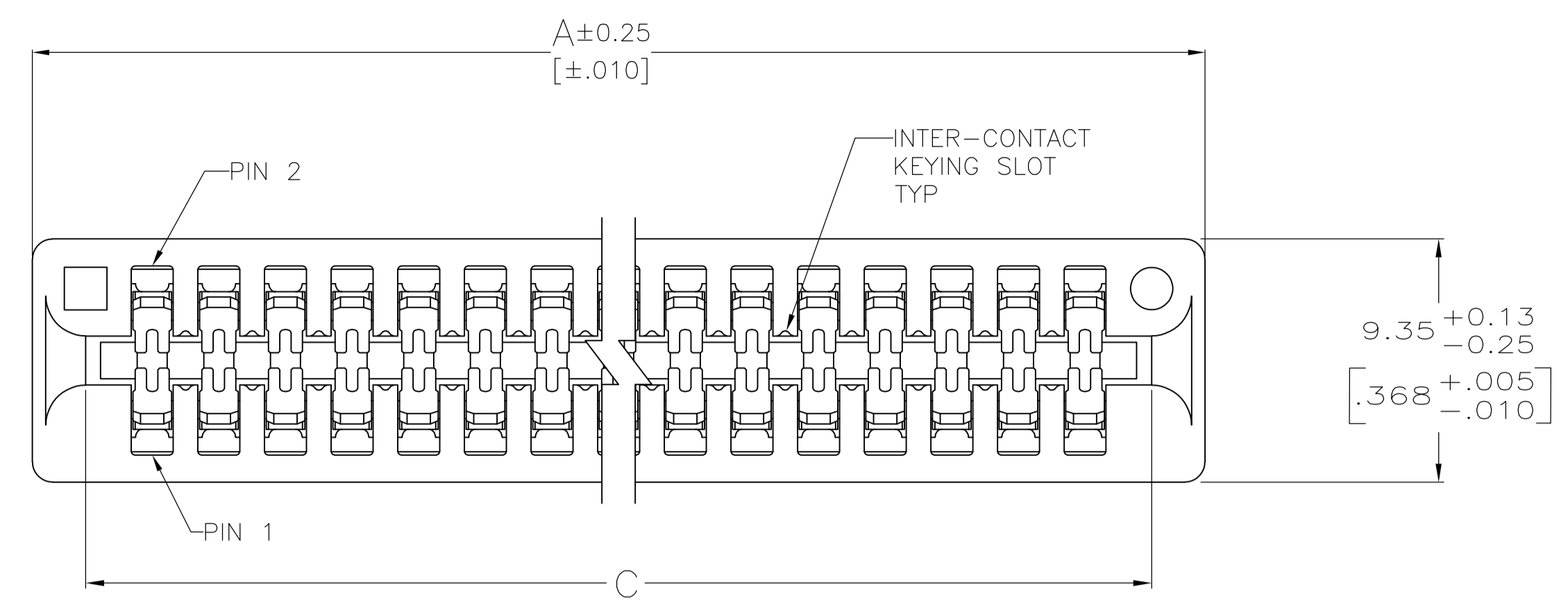


LOC		DIST		REVISIONS			
P	LTR	DESCRIPTION	DATE	DN	APVD		
C		ECO-07-029491	29FEB2008	LAM	AWF		
C1		REVISED PER ECO-09-024927	10NOV09	KK	AEG		



BOARD RETENTION FEATURE  
(SEE TABLE FOR LOCATION)

- MATERIAL:  
HOUSING: GLASS FILLED POLYESTER; COLOR: BLACK.  
CONTACT: PHOS BRONZE
- FINISH:  
0.00076[.000030] MIN GOLD PLATE IN CONTACT AREA,  
0.00254[.000100] MIN MATTE TIN ON SOLDER POSTS, ALL  
OVER 0.00127[.000050] MIN NICKEL
- AMP LOGO, TE PART NUMBER, DATE CODE AND CSA LOGO INK  
STAMPED WHITE (HOT STAMPED OR LAZER PRINTED) IN THE APPROXIMATE  
AREA SHOWN, EITHER SIDE PERMISSABLE, WHEN HOUSING SIZE PERMITS
- RECOMMENDED PCB FINISHED HOLE DIAMETER = 1.02±0.08  
[.040±.003]
- THE RETENTIVE FEATURE OF THIS CONNECTOR IS DESIGNED FOR  
FULL SEATING IN 1.57±0.20[.062±.008] THICK CIRCUIT BOARDS.  
FOR APPLICATIONS IN BOARDS OF OTHER THICKNESSES, CONTACT  
TYCO ELECTRONICS
- OBsolete PARTS: OBSOLETE CIS STREAMLINING PER D.RENAUD/D.SINISI

<b>OBSOLETE</b>	2-5645235-1
<b>OBSOLETE</b>	1-5645235-7
<b>OBSOLETE</b>	1-5645235-3

PART NUMBER

OBSOLETE	6	BOARD RETENTION FEATURE LOCATION				D	C	B	A	X	NO OF POSN	PART NUMBER
		3-6, 55-58, 63-66, 115-118	3-6, 65-68	3-6, 35-38	3-6, 31-34							
		149.86 [5.900]	154.94 [6.100]	156.21 [6.150]	159.00 [6.260]	59	60	1-5645235-8				
		86.36 [3.400]	91.44 [3.600]	92.71 [3.650]	95.50 [3.760]	34	35	1-5645235-1				
		53.34 [2.100]	58.42 [2.300]	59.69 [2.350]	62.48 [2.460]	21	22	5645235-7				
		43.18 [1.700]	48.26 [1.900]	49.53 [1.950]	52.32 [2.060]	17	18	5645235-4				
		124.46 [4.900]	129.54 [5.100]	130.81 [5.150]	133.60 [5.260]	49	50	5645235-3				
		76.20 [3.000]	81.28 [3.200]	82.55 [3.250]	85.34 [3.360]	30	31	5645235-1				

THIS DRAWING IS A CONTROLLED DOCUMENT.

DIMENSIONS: mm	TOLERANCES UNLESS OTHERWISE SPECIFIED:	DRAWING NO	RESTRICTED TO
0 PLC ± -	1 PLC ± -	114-13018	
2 PLC ± 0.13 [.005]	3 PLC ± -	108-9039	
4 PLC ± -	ANGLES ± °	114-13018	
MATERIAL SEE NOTE 1	FINISH SEE NOTE 2	WEIGHT -	SCALE 5:1
CUSTOMER DRAWING		SIZE A1	SHEET 1 OF 1

AWF/L.A.MAYER 29FEB2008  
 A.W.FRANTUM 29FEB2008  
 S.FLICKINGER 29FEB2008

Tyco Electronics Corporation  
 Harrisburg, Pa 17105-3608

CONNECTOR ASSEMBLY,  
 STANDARD EDGE II,  
 2.54 [.100] CENTERLINE

00779 ©=5645235